



# Smart LED Test Tweezers

Multifunction Tester

LED testing  
Switches  
Circuitry  
Fuses



# Smart LED Test Tweezers



**SIBORG**  
SYSTEMS INC




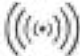


## Multifunction Test Tweezers

### Features

Smart LED Test Tweezers are able to make quick work of testing and troubleshooting components, such as LEDs, switches, fuses, circuits, wire connections, etc.

Connecting Smart LED Test Tweezers with an LCR-meter using the special connector cable to use the device as LCR-meter tweezer probes.

A buzzer can be set to sound when the device is in contact with a component.

- |   |  |   |                         |
|---|--|---|-------------------------|
|  | LED light test                               |  | Fuse open & short check |
|  | SMD or Small component testing               |  | Conductive buzzer       |
|  | Multimeter connection becomes SMD probe clip |  | PCB circuit testing     |



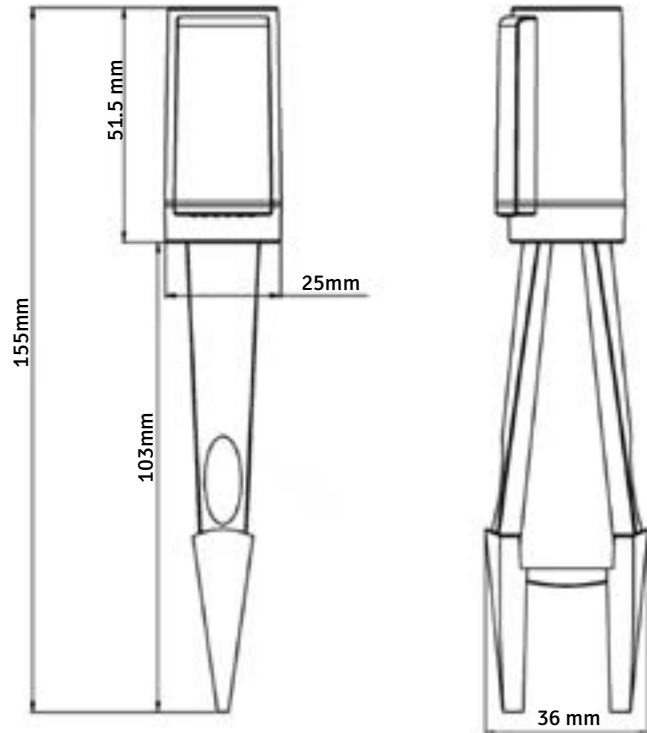
**Warning: Do Not Test Electrified Components**

# Smart LED Test Tweezers



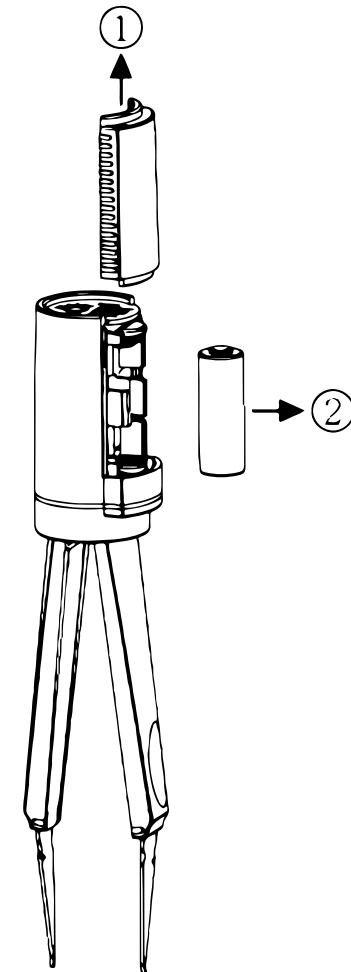
## Multifunction Test Tweezers

### Dimensions



### Changing the Battery

1. Slide top cover off
2. Replace battery (23AE 12V)
3. Replace top cover



### General Specifications

Model:	LED Tweezers
Weight:	50 g
Material:	ABS - Phosphor Bronze
Dimensions:	36x25x155mm
Battery:	23AE 12V